

S3™ Combination

Window Security – the options

Modern window systems are fitted with one of two locking systems:

Espagnolette

Espagnolettes are usually fitted in the central part of the opening side of the window sash and lock by means of metal 'mushrooms' that slide into specially shaped receivers. This provides basic security but leaves the window open to attack at the critical points near the corners. The main advantage of the Espagnolette locking system is the lower price.

Shootbolt

Shootbolts were designed to overcome the security weakness of Espagnolettes in that when the handle is operated a reverse action gearbox drives the bolt into a special keep located in the corner of the sash window and thus secures the critical areas. The main disadvantage is that the central area of the window is not secure and the price is higher.

The S3™ Innovative Solution

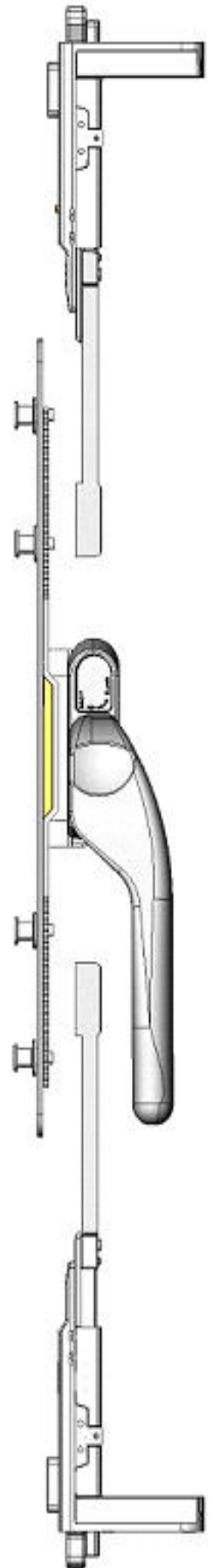
The creative S3™ technology design team saw no reason to be constricted by traditional thinking and did not see why consumers should not have the best of all worlds at little or no extra cost. They therefore set about designing the

Combination Espagnolette/Shootvault

In order to achieve all the advantages of a combined system the designers first had to take the Shootbolt gearing away from the handle and design two different Shootbolt ends. One operates in-line with the Espagnolette movement and the other incorporates reverse action gears so that the bolt moves in the opposite direction to the other three locking mechanisms. Having done that they then worked on the other features.

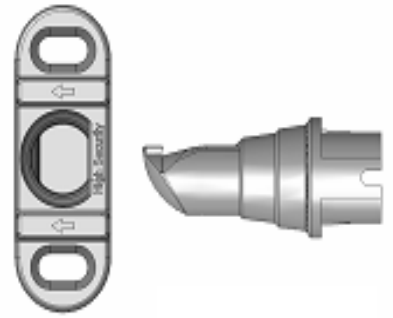
Advantages of the S3™ Innovative Window Hardware

- strong and durable Espagnolette forms the base of the system
- 4-point locking system – the ultimate burglar deterrent
- metal to metal locking that increases resistance to intrusion in direct proportion to the force applied by the intruder
- almost no extra cost when compared with standard Shootbolt security systems
- night vent operation for humid evenings - still with 4 locking points
- when used in combination with the S3™ patented hinge side security bolts this is the most secure system currently available
- more evenly controlled compression of the window gasket for improved insulation from noise and draughts
- the Shootbolt ends can be retro-fitted if the S3™ Espagnolette is already fitted to an existing window
- a specially developed Zeton® coating provides an attractive appearance and extra resistance to corrosion and weathering
- specially designed metal keeps for the Espagnolette as well as the Shootvault give maximum security and the comfort of excluded draughts and noise
- when used together with the S3™ Fastlock™ handle and S3™ hinge side security bolt & keep the level of security that is then achieved reaches unprecedented levels and provides reassurance to the homeowner as well as reliability for years to come



BURBAGE CUSTOM WINDOWS

Presents



S3™ Bolt & Keep for Hinge Side Security & Improved Sealing

Security – Positive Locking

T

The **S3™ BOLT & KEEP** acts to overcome inbuilt security weaknesses in modern age windows by using ASL (Anti-Slip & Lock) technology. Intruders use the void areas between the glass and the frame itself to lever the frame out of its channel.

The **S3™ BOLT & KEEP** manipulates the intruder's strength so that it works against himself.

The **S3™ BOLT & KEEP** security features:

- The security features lie dormant until the window is under attack.
- Provides security on the hinge side of the window – an area that is over-looked except by thieves.
- On attempted forced entry the hook on the bolt engages in the cut out window in the receiver to form a strong metal to metal connection.
- The greater the pressure an intruder applies, the greater is the resulting resistance to forced entry.



Secure locking

Improved Comfort + Energy Saving

TThe **S3™ BOLT & KEEP** improves sash management and sealing by using **AST (Advanced Sealing Technology)**

The **S3™ BOLT & KEEP** sealing features:

- A patented sash guidance and locating system for improved window opening reliability and durability
- Adjustable compression features to optimise window gasket compression through the life of a window.
- Controls and balances compression of the window gasket enabling the exclusion of draughts and noise – the reason that most consumers invest in new windows and hardware but often their expectations are not met
- Reduces frame distortion and resulting draught.
- Reduces wear and tear on the hinges by acting as a guide on closure of the sash and thus relieving pressure on the hinge



Improved Sealing